



EOGas<sup>®</sup> 3



EOGas 310  
(table unavailable)

**EOGas 310**

- Run up to **6 loads** independently at any one time.

**EOGas 333**

- Run up to **10 loads** independently at any one time.



EOGas 333

**MOST EFFECTIVE STERILANT - MOST EFFICIENT PROCESS**

Andersen EOGas 3 sterilizers combine the **proven reliability** of ethylene oxide (EO) with a unique delivery system that uses 10.5g of gas per cycle - **90%+ less** gas than our competition. Ours is the most delicate sterilization system on the market and **will not damage** delicate items such as **electronics, fiber optics, endoscopes, cameras or laptop computers**. Compatible with **plastic, rubber and cellulose**. Ideal for sterilizing **long lumens, heat- or moisture-sensitive materials, mated surfaces and intricate mechanisms**. Fully validatable.

- Operator may load new bags or unload finished bags while others are in process.
- For **multi-specialty** or **high-volume clinics** that require a constant flow of sterilized instruments or **industrial users** scaling-up from R&D to bring a **product to market**.
- EOGas 3 sterilizers use **35-liter** liner bags and **10.5g** EO cartridges.
- **Temperature-controlled** cabinet - standard temp 122°F - custom cycles available.



**WHY EO?**



EO is the **gold standard** in sterilization because it offers **10<sup>-6</sup> sterility assurance level** along with **unparalleled gentleness and material compatibility**.

**BENEFITS?**

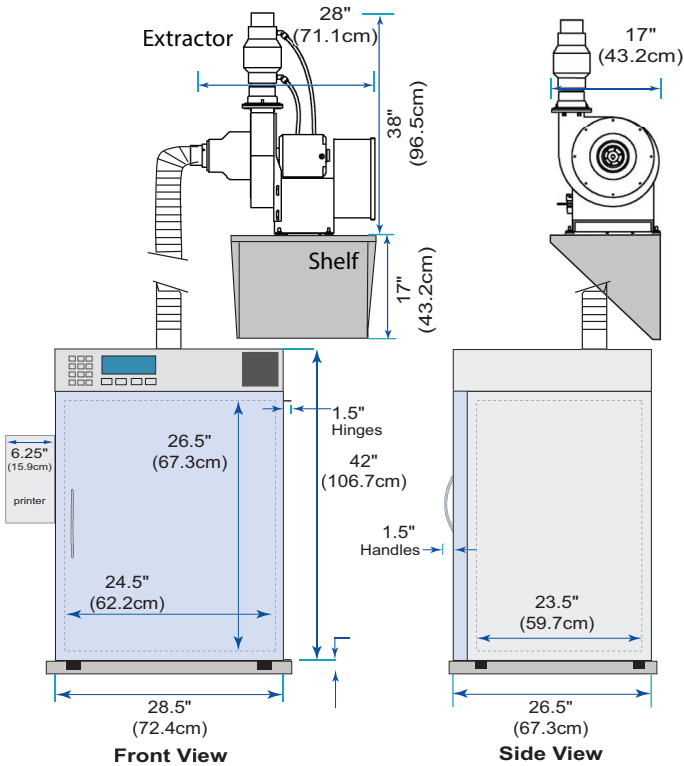
- **Affordable and Versatile**
- Easy, **inexpensive installation**
- **FREE operator training**
- **FREE 24/7 support**
- Temperature controlled
- Efficient - **90%+ less gas** than any other sterilizer on the market
- **Gentle** - low temperature, no steam, no deep vacuum

**SO WHAT?**

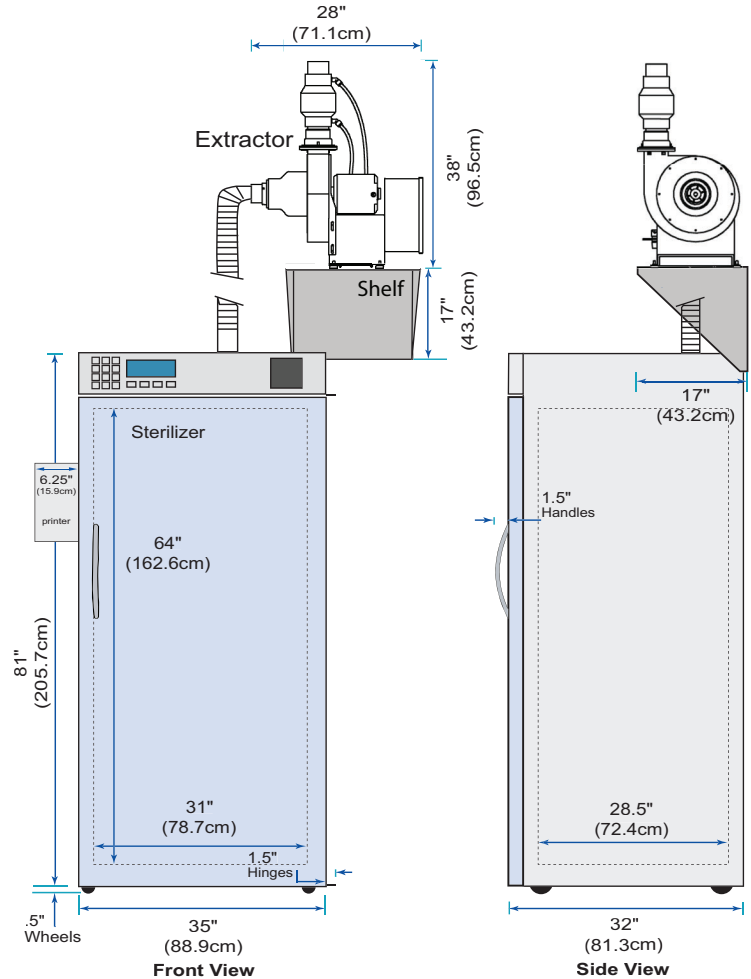


The EOGas 3 Series gives customers **flexibility and capacity**. Clinic-based customers appreciate the **multi-load** function while industrial customers find the system **infinitely scalable**.

## AN310



## AN333



**Make Your System Zero Emissions:** The Andersen AN5200 abator is a simple, drum-based system designed to remove more than 99% exhaust stream of an EOGas 3 sterilizer. The replaceable drum employs a dry catalyst resin that converts ethylene oxide to biodegradable organic compounds. Replaceable abator drum has a 1,800 cycle capacity. Spent drums are non-hazardous.

Dotted lines show interior (chamber) dimensions.

PN33386\_082021

Model	Description	Interior Dimensions	Exterior Dimensions	Capacity	Weight	
					Cabinet	Extractor
AN310	Free-standing sterilizer cabinet, extractor & sealer	23.5"L x 24.5"W x 26.5"H	26.5"L x 28.5"W* x 42"H	10 cu ft	285 lbs (130 kg)	75 lbs (34 kg)
AN333	High-capacity free-standing sterilizer cabinet, extractor & sealer	28.5"L x 31"W x 64"H	32"L x 35"W* x 81"H	33 cu ft	630 lbs (286 kg)	75 lbs (34 kg)

Exhaust requirements: Dedicated 3" exhaust vent to the outside

Power requirements: 220-240V +/- 10%, 5.4 Amps

\* without printer